



General specifications

- Snap-on mounting on DIN rail TS 35, according to EN 50 022
- Housing in self-extinguishing PC/ABS, according to UL 94V-0
- Standard colour grey RAL 7035
- Screw terminals for electrical connection to wires with sections from 0.75mm² to 2.5mm² (18÷13 AWG)
- Bi-metallic sensing element
- Normally Closed (NC) red knob, Normally Open (NO) blue knob
- CEI EN 60730-1 applied standard
- CEI EN 60730-2-9 applied standard
- UL (Underwriters Laboratories) approved, according to UL 873 and C22.2 No. 24-93 standards

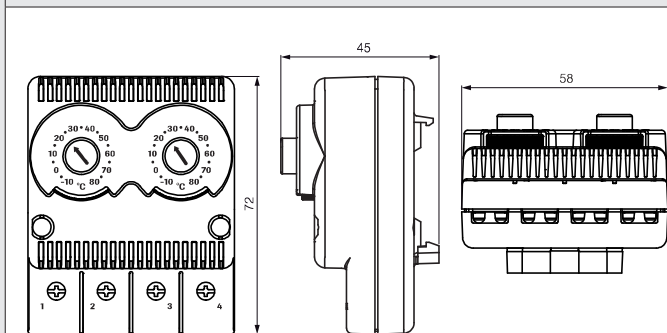


► Graduated disc rotatable by hand or tool

Technical data

| Model | Rated Voltage Range | Rated Current | Contact Current | Setting Range | | Differential (referred to set point) | Accuracy | Weight | Approvals |
|--------------------|---------------------------|---------------|-----------------|---------------|----------|--|----------|--------|------------|
| | V | | | °C | °F | | | | |
| TRT2-10A230V-NCNC | 60 V d.c.; 110-250 V a.c. | 10 + 10 | 15 + 15 | -10 ~ 80 | | -3 | ±3 | 0.14 | CE; cURus; |
| TRT2-10A230V-NCNCF | 60 V d.c.; 110-250 V a.c. | 10 + 10 | 15 + 15 | | 14 ~ 176 | -3 | ±3 | 0.14 | CE; cURus; |
| TRT2-10A230V-NCNO | 60 V d.c.; 110-250 V a.c. | 10 + 10 | 15 + 15 | -10 ~ 80 | | -3 (NC) / +4 if A < 5 ; +7 if A > 5 (NO) | ±3 | 0.14 | CE; cURus; |
| TRT2-10A230V-NCNOF | 60 V d.c.; 110-250 V a.c. | 10 + 10 | 15 + 15 | | 14 ~ 176 | -3 (NC) / +4 if A < 5 ; +7 if A > 5 (NO) | ±3 | 0.14 | CE; cURus; |
| TRT2-10A230V-NONO | 60 V d.c.; 110-250 V a.c. | 10 + 10 | 15 + 15 | -10 ~ 80 | | +4 if A < 5 ; +7 if A > 5 | ±3 | 0.14 | CE; cURus; |
| TRT2-10A230V-NONOF | 60 V d.c.; 110-250 V a.c. | 10 + 10 | 15 + 15 | | 14 ~ 176 | +4 if A < 5 ; +7 if A > 5 | ±3 | 0.14 | CE; cURus; |

TRT2 °C



TRT2 °F

