

FF20A230UEC

EMC version with fan

> CONTACT US



FF series exhaust filter and filter fans represents a side-mounted cooling solution with filtered ambient air to maintain optimum ventilation inside the electrical cabinets. Screwless connection, fast tool-free mounting system with clip and maintenance friendliness are the main benefits. Available in a wide range of configurations for both indoor and outdoor use.

Technical data		
<b>APPROVALS</b>		
Approvals	CE; UKCA	
<b>PERFORMANCE</b>		
Max Airflow	457/505	m <sup>3</sup> /h
	269/297	CFM
Airflow with Exhaust Filter	325/360	m <sup>3</sup> /h
	191/212	CFM
Max Static Pressure	136/148	Pa
	0.55/0.59	in H <sub>2</sub> O
<b>ELECTRICAL DATA</b>		
Rated Voltage	230	V a.c.
Rated Current	0.343/0.418	A
Rated Power	79/96	W
Operating Voltage	230-240	V a.c.
Frequency	50/60	Hz
Appliance Class	I	
Motor Protection	Thermally Protected	
<b>MECHANICAL DATA</b>		
Mounting Wall Thickness	1.3-3.7	mm
	0.05-0.15	in
Bearing	Ball Bearing	

Image is for illustrative purpose only. All specifications, data and drawing are subject to change without notice. Please refer to our terms of sales including our warranty and limited liabilities clauses.

FF20A230UEC

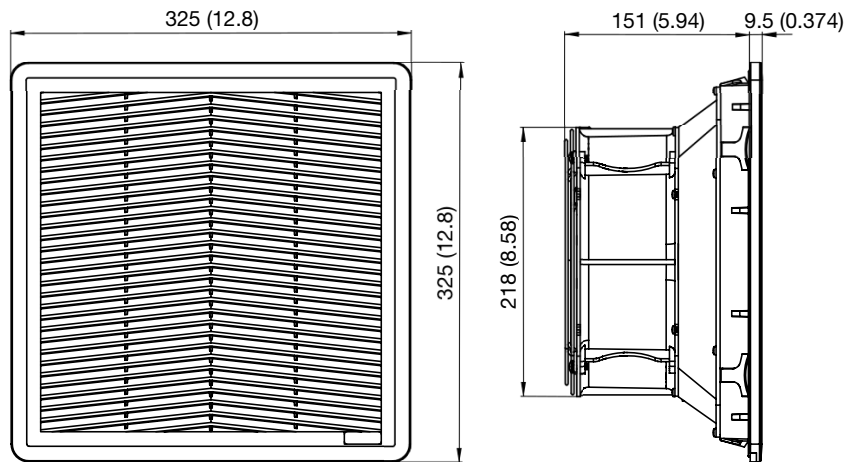
EMC version with fan

> CONTACT US

Technical data		
GENERIC DATA		
Spare Parts Filter Media	M20FPF-EU3	
Casing Material	PC/ABS UL94 V-0	
RAL Number	7035	
Airflow Direction	Direct	
Electrical Connection	Screwless Terminal Block	
Life Expectancy	63000/70000	h at 40 °C
	63000/70000	h at 104 °F
Wires Section	0.75-2.5	mm <sup>2</sup>
Wires Section	20-14	AWG
Fan Noise	60/62	dB(A)
Filter Class	G3	EN 779
Filter Class	ISO coarse 55%	ISO 16890
Filter Material	thermo-linked progressive structure synthetic fibre	
ENVIRONMENTAL AND THERMAL DATA		
IP Protection Degree	IP54	
Operating Temperature	-25÷60	°C
	-13÷140	°F
Storage Temperature	-30÷70	°C
	-22÷158	°F

Image is for illustrative purpose only. All specifications, data and drawing are subject to change without notice. Please refer to our terms of sales including our warranty and limited liabilities clauses.

Technical drawing mm (in)



Mounting cut-out mm (in)

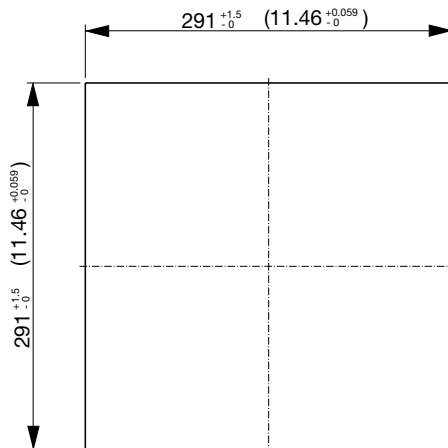


Image is for illustrative purpose only. All specifications, data and drawing are subject to change without notice. Please refer to our terms of sales including our warranty and limited liabilities clauses.

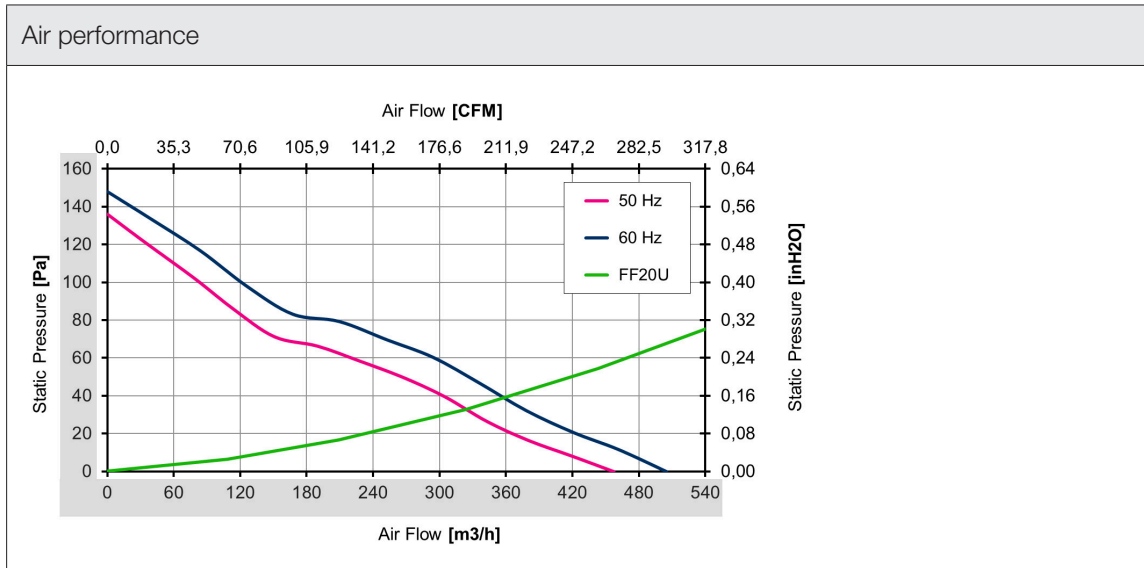


Image is for illustrative purpose only. All specifications, data and drawing are subject to change without notice. Please refer to our terms of sales including our warranty and limited liabilities clauses.