

TP22A2354UIUX

AC

> CONTATTACI



The TP series roof-mounted exhaust units provide an effective solution for dissipating heat from the top section of electrical panels. Suitable for both indoor and outdoor applications, they ensure high airflow performance even in confined spaces where wall-mounted installation is not possible. Depending on environmental conditions, they can be combined with one or more filters to enable either natural convection or forced air cooling.

Technical data		
APPROVALS		
Approvals	CE; UKCA	
PERFORMANCE		
Fan Max Airflow	1081/1079 636/635	m ³ /h CFM
Max Airflow	872/859 513/506	m ³ /h CFM
Optimal Operating Airflow	825/802 486/472	m ³ /h CFM
Max Static Pressure	459/547 1.84/2.20	Pa in H ₂ O
ELECTRICAL DATA		
Rated Voltage	230	V a.c.
Rated Current	0.48/0.58	A
Rated Power	106/124	W
Operating Voltage	207-253	V a.c.
Frequency	50/60	Hz
Appliance Class	I	
Motor Protection	Thermally Protected	
MECHANICAL DATA		
Mounting Roof Thickness	1.2-3 0.05-0.12	mm in

Image is for illustrative purpose only. All specifications, data and drawing are subject to change without notice. Please refer to our terms of sales including our warranty and limited liabilities cla

TP22A2354UIUX

AC

> CONTATTACI

Technical data		
Bearing	Ball Bearing	
GENERIC DATA		
Spare Parts Filter Media	M007K	
Weight	7.93	Kg
	17.48	lb
RAL Number	7035	
Life Expectancy	40000/40000	h at 55 °C
	40000/40000	h at 131 °F
Electrical Connection	Pluggable Terminal Block	
Wires Section	0.5-2.5	mm ²
Wires Section	14-20	AWG
Filter Class	G3	EN 779
Filter Class	ISO coarse 55%	ISO 16890
Filter Material	thermo-linked progressive structure synthetic fibre	
Fixing System	Snap Mounting	
ENVIRONMENTAL AND THERMAL DATA		
IP Protection Degree	IP54	
Operating Temperature	-30÷55	°C
	-22÷131	°F
Storage Temperature	-30÷60	°C
	-22÷140	°F

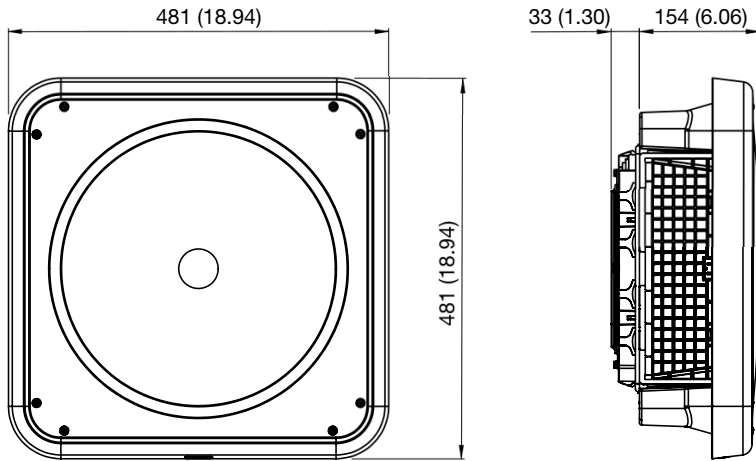
Image is for illustrative purpose only. All specifications, data and drawing are subject to change without notice. Please refer to our terms of sales including our warranty and limited liabilities cla

TP22A2354UIUX

AC

> CONTATTACI

Technical drawing mm (in)



Mounting cut-out mm (in)

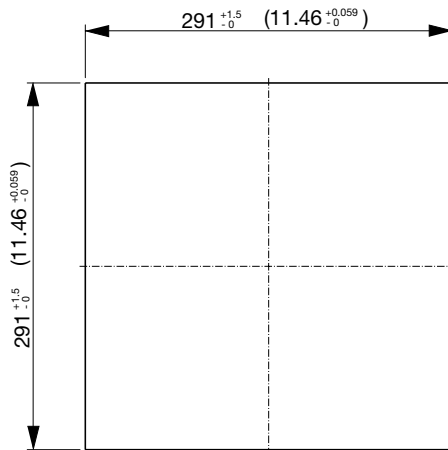


Image is for illustrative purpose only. All specifications, data and drawing are subject to change without notice. Please refer to our terms of sales including our warranty and limited liabilities cla

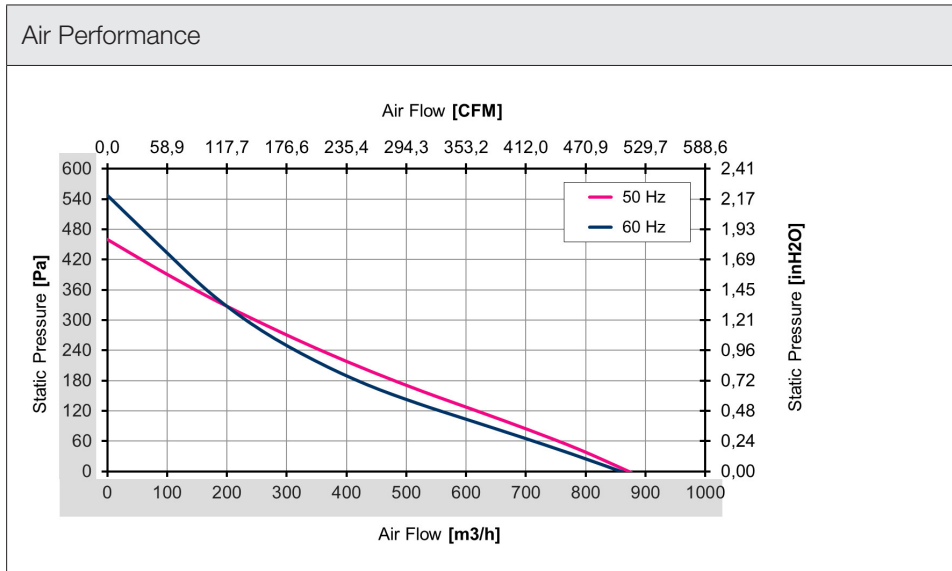


Image is for illustrative purpose only. All specifications, data and drawing are subject to change without notice. Please refer to our terms of sales including our warranty and limited liabilities cla